

# 63mm Pressure Gauge Liquid Filled Dial

Back Entry - Glycerine Filled - Stainless Steel

**LFPGBE**

**PRODUCT DATASHEET**

## Description

High-Quality Liquid Filled Pressure Gauge suitable for measuring Water Pressure and Air Pressure.

Our 63mm Dial Pressure Gauge with 8mm (1/4 inch) BSP Back Entry Brass Thread ranges from 0 - 100 KPa / 15 PSI to 0 - 40000 KPa / 6000 PSI and is manufactured with a Stainless Steel Housing.

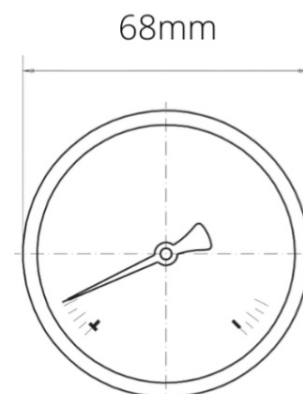
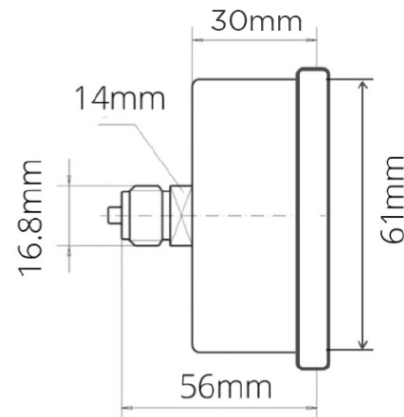
EVF pressure gauges have been proven reliable and efficient since 1991 and maintained at a competitive price.

## Features

- **Pressure Range:** 400 kpa (60 psi) to 8000 kpa (1200 psi)
- **Body:** Stainless Steel
- **Function:** Dual Scale Kpa/PSI glycerine filled pressure gauge
- **Connection:** 1/4" BSP Back Entry
- **Factory Accredited:** CE, ISO 9001, TUV



Model	Range
LFPGBE63-0-400	0 to 400 kPa
LFPGBE63-0-600	0 to 600 kPa
LFPGBE63-0-800	0 to 800 kPa
LFPGBE63-0-1000	0 to 1000 kPa
LFPGBE63-0-1600	0 to 1600 kPa
LFPGBE63-0-2500	0 to 2500 kPa
LFPGBE63-0-4000	0 to 4000 kPa
LFPGBE63-0-8000	0 to 8000 kPa
Size	63mm (2 1/2")
Accuracy	+/- 2.5%
Range	Depends upon model
Work Pressure	3/4 of full scale
Fluctuating pressure	2/3 of full scale
Short Time Pressure	Full Scale
Operating Temperature	-10°C to 60°C
Media	Compatible gases and liquids
Housing	304 Stainless Steel Case and crimped ring
Window	Polycarbonate
Liquid Filled	Glycerine
Bourdon Tube	Copper alloy
Movement	Copper alloy
Connection	Brass
Thread	BSP
Scale	Dual Scale Kpa/Psi



## Warranty

24 months

### For Further Information

📧 [info@valvewarehouseaustralia.com.au](mailto:info@valvewarehouseaustralia.com.au)

☎ 03 9421 0042

Valve Warehouse ABN 33 632 515 149