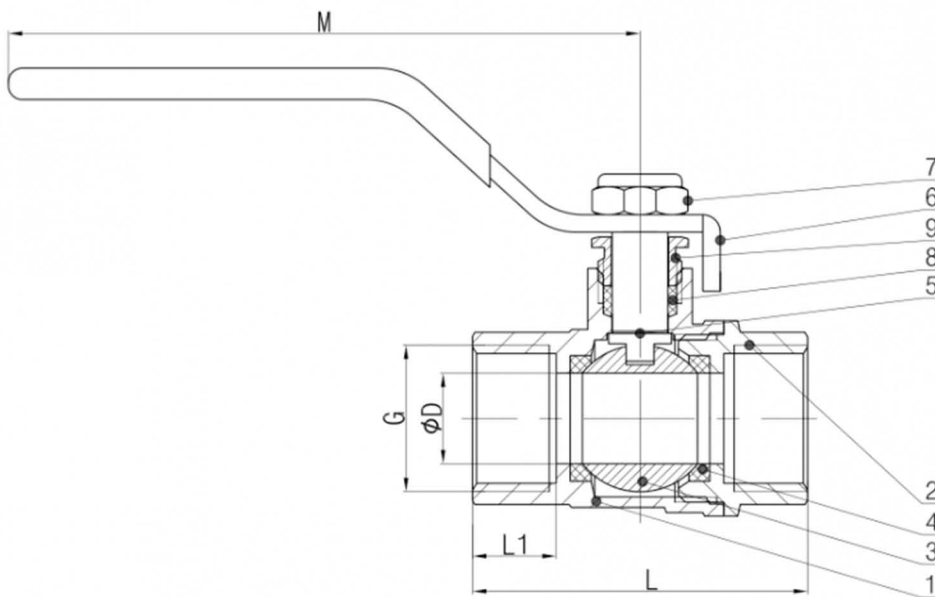


Brass Ball Valve

F&F - Full Bore - Lever Operated

Product Datasheet



Specifications

Pressure Limit: 16 BAR

Temperature Range: 0°C to 80°C

Features

Available in sizes 15mm (1/2") to 100mm (4")

Full Bore

Female BSP Threaded Ends

Nyloc Retaining Nut on Stem

Blow-out Proof Stem

Actuation Lever

Sizing Chart

| (IN) | (MM) | L | D | M | L1 | G |
|--------|------|-----|----|-----|----|-----|
| 1/2" | 15 | 56 | 15 | 90 | 15 | 21 |
| 3/4" | 20 | 65 | 19 | 102 | 15 | 27 |
| 1" | 25 | 69 | 24 | 110 | 16 | 34 |
| 1 1/4" | 32 | 84 | 31 | 130 | 18 | 42 |
| 1 1/2" | 40 | 96 | 38 | 140 | 20 | 48 |
| 2" | 50 | 111 | 48 | 163 | 21 | 60 |
| 2 1/2" | 65 | 119 | 57 | 220 | 22 | 76 |
| 3" | 80 | 142 | 69 | 220 | 24 | 89 |
| 4" | 100 | 168 | 85 | 250 | 31 | 114 |

Makeup

| KEY | PART | MATERIAL |
|-----|--------------|-----------------|
| 1 | Body | Brass |
| 2 | Valve Bonnet | Brass |
| 3 | Valve Ball | Brass |
| 4 | Valve Seat | PTFE |
| 5 | Valve Stem | Brass |
| 6 | Handle | Stainless Steel |
| 7 | Hexagon Nut | Stainless Steel |
| 8 | Padding | PTFE |
| 9 | Packing Nut | Brass |

For more information on Valve Warehouse Australia:

P: (03) 9421 0042 E: info@valvewarehouseaustralia.com.au