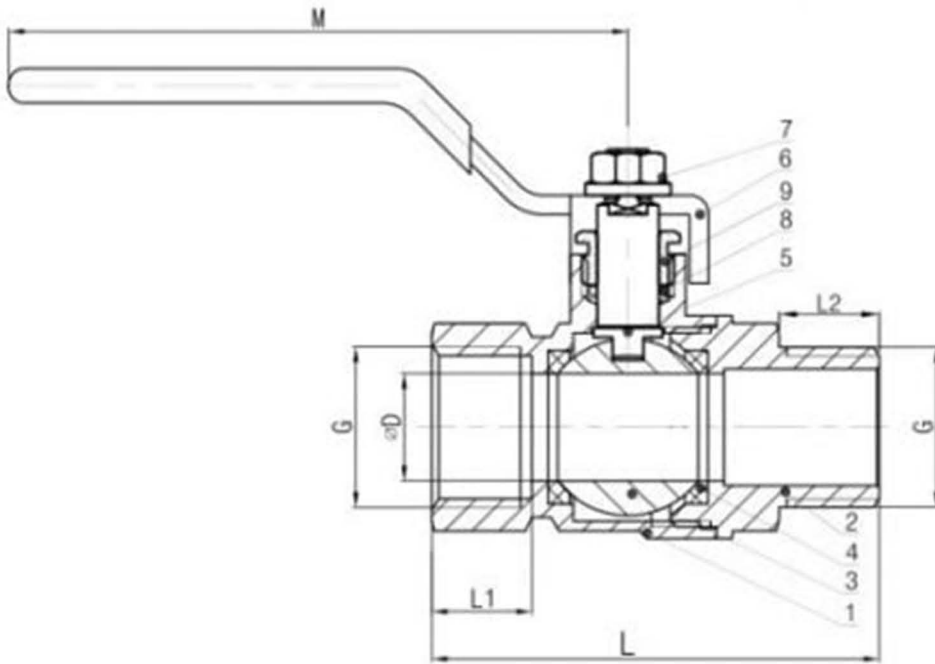


Brass Ball Valve

M&F - Full Bore - Lever Operated

Product Datasheet



Specifications

Pressure Limit: 16 BAR

Temperature Range: 0°C to 80°C

Features

Available in sizes 15mm (1/2") to 50mm (2")

Full Bore

Male & Female BSP Threaded Ends

Blow-out Proof Stem

Actuation Lever

Sizing Chart

(IN)	(MM)	L	D	M	L1/L2	G
1/2"	15	56	14	95	12/12.5	21
3/4"	20	62	18	95	12.5/13	27
1"	25	73	23	120	14/15	34
1 1/4"	32	84	31	132	16/17	42
1 1/2"	40	96	38	141	17/18	48
2"	50	107	48	152	18/19	60

Makeup

KEY	PART	MATERIAL
1	Body	Brass
2	Valve Bonnet	Brass
3	Valve Ball	Brass
4	Valve Seat	PTFE
5	Valve Stem	Brass
6	Handle	Stainless Steel
7	Hexagon Nut	Stainless Steel
8	Padding	PTFE
9	Packing Nut	Brass